



ES208G

DIN-Rail or Wall Mounting

8-port Full Gigabit Layer 2 Unmanaged Ethernet Switch

- Support 8 Gigabit copper ports
- Input voltage: 12~48VDC, nonpolarity, reverse polarity protection
- Support -25~70°C wide operating temperature range



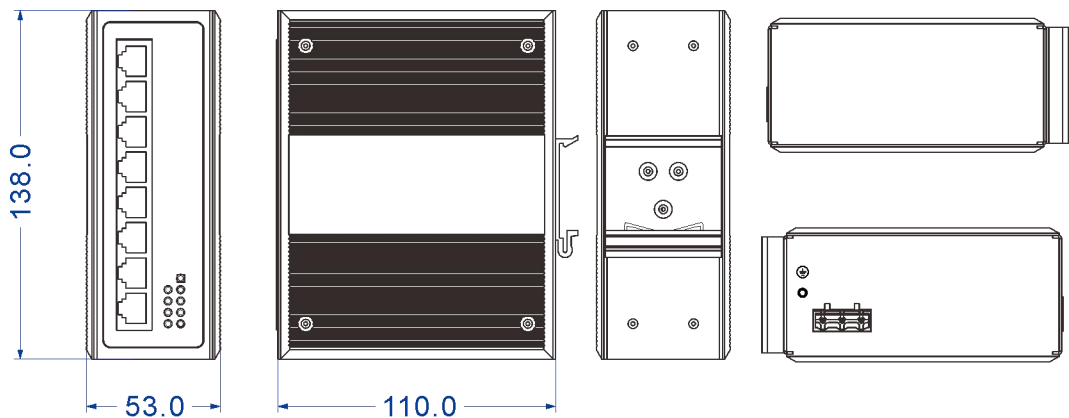
Introduction

ES208G is 8-port full Gigabit layer 2 unmanaged Ethernet switches. The product provides 8 full Gigabit copper ports. It adopts DIN-Rail or wall mounting to meet the requirements of different application scenes.

Power supply is nonpolarity design, which can ensure the device normal power supply during reverse connection of power supply. Hardware adopts fanless, low power consumption, wide temperature and voltage design and has passed rigorous industrial standard tests, which can suit for the industrial scene environment with harsh requirements for EMC. It can be widely used in smart grid, rail transit, smart city, safety city, new energy, aerospace, intelligent manufacturing, military project and other industrial fields.

Dimension

Unit:mm



Specification

Standard & Protocol	IEEE 802.3 for 10Base-T IEEE 802.3u for 100Base-TX IEEE 802.3ab for 1000Base-T
Interface	Copper port: 10/100/1000Base-T(X), RJ45, Automatic Flow Control, Full/half Duplex Mode, MDI/MDI-X Autotuning
LED Indicator	Power Supply Indicator, Port Indicator
Switch Property	Transmission mode: store and forward

MAC address: 8K
 Packet buffer size: 2.5Mbit
 Backplane bandwidth: 20G
 Switch time delay: < 10μs

Power Requirement	12~48VDC, 3-pin 7.62mm pitch terminal blocks Nonpolarity, reverse polarity protection
Power Consumption	No-load: 0.82W@24VDC Full-load: 3.65W@24VDC
Environmental Limit	Operating temperature range: -25~70°C Storage temperature range: -40~85°C Relative humidity: 5% ~ 95% (no condensation)
Physical Characteristic	Housing: IP40 protection, metal Installation: DIN-Rail or wall mounting Dimension (W x H x D): 53mm×110mm×138mm Weight: 616g
Industrial Standard	IEC 61000-4-2 (ESD) , Level 2 <ul style="list-style-type: none"> ● Air discharge: ±4kV ● Contact discharge: ±4kV IEC 61000-4-5 (Surge), Level 2 <ul style="list-style-type: none"> ● Power supply: common mode ±1kV, differential mode ±0.5kV ● Ethernet port: ±1kV Shock: IEC 60068-2-27 Free fall: IEC 60068-2-32 Vibration: IEC 60068-2-6
Certification	CE, FCC, RoHS
Warranty	3 years



Ordering Information

Available Models	Gigabit Copper Port	Power Supply Range
ES208G	8	12~48VDC



Address: 3/B, Zone 1, Baiwangxin High Technology Industrial Park, Song Bai Road, Nanshan District, Shenzhen, 518108, China

TEL.: +86-755-26702668 ext 835 FAX: +86-755-26703485

E-mail: ics@3onedata.com

Website: www.3onedata.com

◀ Please scan our QR code for more details

*Product pictures and technical data in this datasheet are only for reference. Updates are subject to change without prior notice. The final interpretation right is reserved by 3onedata.