



## CP202-2CI

Wall Mounting  
2-port CAN Server

- Support 2 CAN to 1 10/100Base-T(X) self-adaptive Ethernet interface
- Support multiple operating modes like TCP Server, TCP Client, UDP Server, UDP Client, UDP Rang and UDP Multicast
- Support 5K~1000Kbps arbitrary baud rate
- Support -40 ~ 75°C wide operating temperature range



## Introduction

---

CP202-2CI is a CAN server that has integrated 2 CAN ports and 1 Ethernet port. It can implement interconnection between CAN-Bus network and Ethernet to further extend the communication range of CAN-Bus network. This product supports 2 CAN to 1 100M Ethernet copper port and adopts wall mounting which can meet the requirements of different scenes.

CAN server supports multiple network protocols, such as TCP, UDP, TELNET, ARP, ICMP, HTTP, DNS and DHCP protocols. It possesses complete management function, like access control, quick configuration, online upgrade, etc. Each CAN supports 4 TCP or UDP sessions, and multiple operating modes like TCP Server, TCP Client, UDP Server, UDP Client, UDP Rang and UDP Multicast. Access methods such as TELNET, WEB are also supported. The network management system could bring you great user experience via its friendly interface design and easy and convenient operation.

DEF button could implement restoring to factory setting for device. Hardware adopts fanless, low power consumption, wide temperature and voltage design and has passed rigorous industrial standard tests, which can suit for the industrial scene environment with harsh requirements for EMC. It can be widely used in PLC control and management, building automation, healthcare automation system, measuring instrument and environment monitoring system, etc.

## Features and Benefits

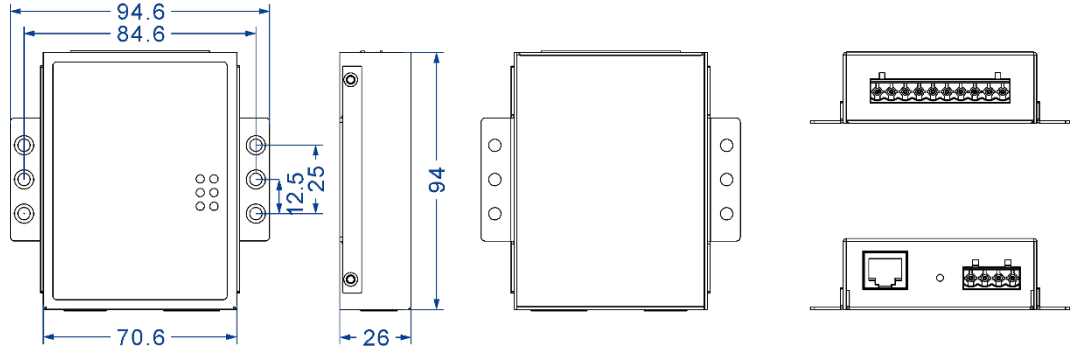
---

- ⦿ Support 10/100Base-T(X) self-adaptive Ethernet interface
- ⦿ Support 5kbps~1000kbps line-speed non-blocking communication
- ⦿ Support multiple operating modes like TCP Server, TCP Client, UDP Server, UDP Client, UDP Rang and UDP Multicast
- ⦿ Support cross-gateway and router communication
- ⦿ Support IP address and MAC address filtering, which can achieve accurate access control easily
- ⦿ Support graded user management to implement humanized authority management
- ⦿ Support CAN port status and parameter monitoring, making communication state clear to be seen
- ⦿ Support automatic reconnection from network interrupts to establish reliable TCP connection
- ⦿ Flexible CAN data framing setting can meet user's various needs in data partition
- ⦿ Support standard TCP/IP SOCKET application access
- ⦿ TCP support multi-connection, which enables up to 4 users to monitor and manage CAN device simultaneously
- ⦿ Stand-alone or multi-device communication is supported in UDP mode, which enables multiple users to monitor or manage CAN device simultaneously

- Support multiple configuration forms like Windows configuration tool, TELNET and WEB

## Dimension

Unit:mm



## Specification

<p><b>Ethernet</b></p>	<p>Standard: 10Base-T, 100Base-TX                      Protocol: TCP, UDP, ARP, HTTP, TELNET, ICMP, DHCP, DNS                      Rate: 10/100M Automatic Flow Control, MDI/MDI-X Autotuning                      Interface quantity: 1                      Interface form: RJ45                      Duplex mode: Self-adaptive Full/Half Duplex Mode                      Operating mode: 4 sessions, support operating modes like TCP Server, TCP Client, UDP Server, UDP Client, UDP Rang and UDP Multicast</p>
<p><b>CAN Interface</b></p>	<p>Standard: CAN2.0A, CAN2.0B                      Interface quantity: 2 CAN ports                      CAN signal: CANH, CANL                      Duplex mode: 2-wire Half Duplex Mode                      Baud rate: 5kbps~1000kbps                      Load capacity: support concurrent transmitting of 110 nodes                      Transmission distance: 40m~10km                      Interface form: adopt 10-pin 5.08mm pitch terminal blocks                      Terminating resistor: optional built-in 120Ω terminating resistor                      Interface protection: 2kVAC isolation protection</p>
<p><b>Configuration Method</b></p>	<p>WEB configuration management, TELNET configuration, Windows</p>

	configuration tool
Security	Classification of User Permissions, IP Address Filtering, MAC Address Filtering
LED Indicator	Power supply indicator, Ethernet port indicator, CAN running indicator, CAN error indicator
Power Requirement	9~24VDC 4-pin 5.08mm pitch terminal blocks
Power Consumption	No-load: 1.0W@12VDC Full-load: 1.1W@12VDC
Environmental Limit	Operating temperature: -40~75°C Storage temperature: -40~75°C Relative humidity: 5% ~ 95%(no condensation)
Physical Characteristic	Housing: IP40 protection, metal Installation: wall mounting Dimension (W x H x D): 70.6mm×94mm×26mm Weight: 253g
Industrial Standard	<p>IEC 61000-4-2 (ESD, electrostatic discharge), Level 3</p> <ul style="list-style-type: none"> <li>● Air discharge: ±8kV</li> <li>● Contact discharge: ±6kV</li> </ul> <p>IEC 61000-4-4 (EFT, electrical fast transient pulses), Level 3</p> <ul style="list-style-type: none"> <li>● Power supply: ±2kV</li> <li>● Ethernet port: ±1kV</li> <li>● CAN port: ±2kV</li> </ul> <p>IEC 61000-4-5 (Surge), Level 3</p> <ul style="list-style-type: none"> <li>● Power supply: common mode±2kV, differential mode±1kV</li> <li>● Ethernet port: ±2kV</li> <li>● CAN port: common mode±2kV, differential mode±1kV</li> </ul> <p>Shock: IEC 60068-2-27 Free fall: IEC 60068-2-32 Vibration: IEC 60068-2-6</p>
Certification	CE, FCC, RoHS
Warranty	3 years

## Ordering Information

Available Models	100M Copper port	CAN	Power Supply Range
CP202-2CI	1	2	9~24VDC



Address: 3/B, Zone 1, Baiwangxin High Technology Industrial Park, Song Bai Road, Nanshan District, Shenzhen, 518108, China

TEL.: +86-755-26702668 ext 835 FAX: +86-755-26703485

E-mail: [ics@3onedata.com](mailto:ics@3onedata.com)

Website: [www.3onedata.com](http://www.3onedata.com)

◀ [Please scan our QR code for more details](#)

\*Product pictures and technical data in this datasheet are only for reference. Updates are subject to change without prior notice. The final interpretation right is reserved by 3onedata.